

REV.  
C

MA2096

SAE Technical Standards Board Rules provide that: "This report is published by SAE to advance the state of technical and engineering sciences. The use of this report is entirely voluntary, and its applicability and suitability for any particular use, including any patent infringement arising therefrom, is the sole responsibility of the user." SAE reviews each technical report at least every five years at which time it may be reaffirmed, revised, or cancelled. SAE invites your written comments and suggestions.

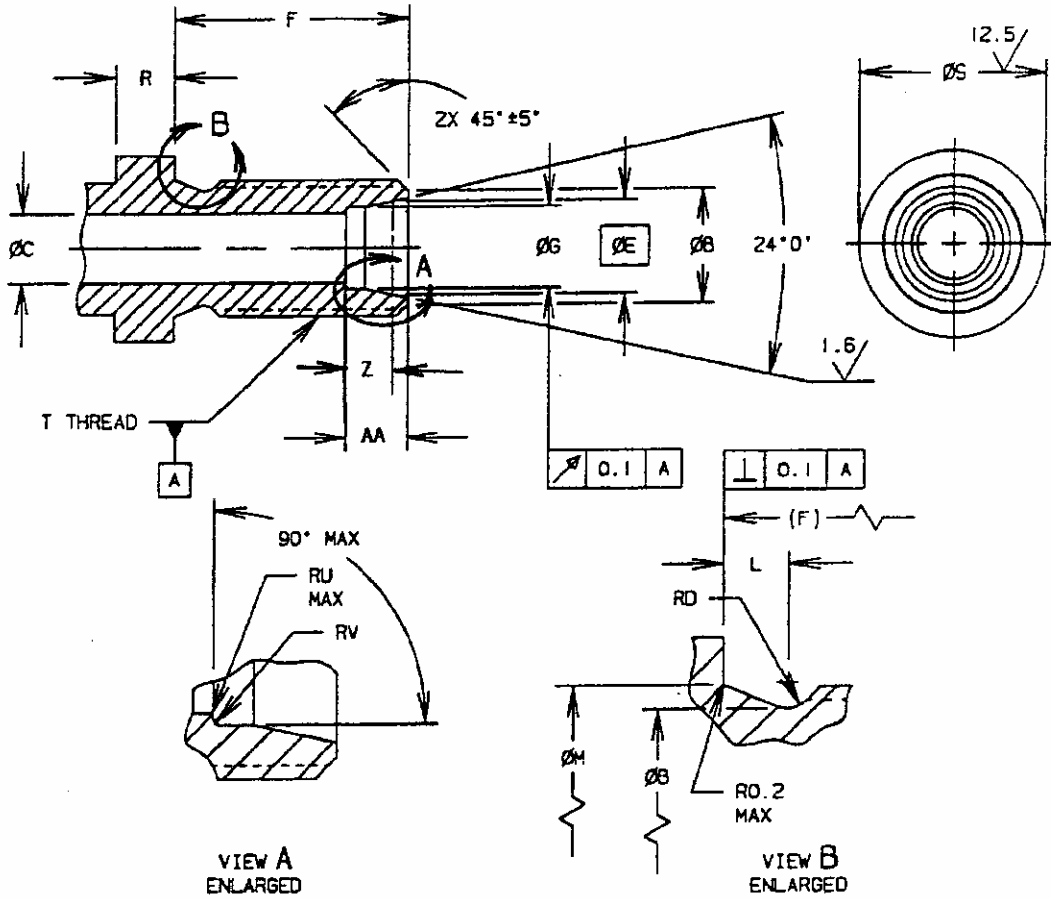
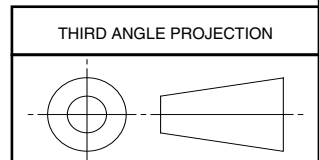


FIGURE 1 - FITTING END DESIGN, STYLE S



FIGURE 2 - FITTING END DESIGN, STYLE E  
SAME AS STYLE S EXCEPT AS SHOWN



CUSTODIAN: SAE G-3/G-3B

PROCUREMENT SPECIFICATION: NONE /2/

**SAE Aerospace**  
An SAE International Group

**METRIC AEROSPACE STANDARD**

(R) FITTING END, 24° CONE, BULKHEAD,  
DESIGN STANDARD, METRIC

**MA2096**  
SHEET 1 OF 3

**REV.  
C**